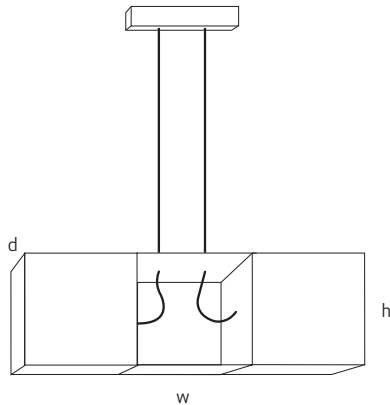


cg_twins pendant lamp

design Christian Finke, 2001



model	cg_twins 21	cg_twins 27
dimensions (wxhxd)	63x21x13cm	81x27x15cm
materials	fabric shades, different bases	
gr. weight / packing vol.	3.0kg / 0.026sqm	4.6kg / 0.048sqm
suspension	max. 200cm	max. 200cm
switching	external	external
protection class	II	II
mechanical rating	IP20	IP20
rated voltage	220-240V, 50/60Hz	220-240V, 50/60Hz
light source	2x E27 Med max. 60W	2x E27 Med max. 60W
optional	customized materials	customized materials

A pendant light 2in1 convinces with its strong contrasts. 12 fabric colours - mostly silks are combined with a square frame made of coated steel or wood. The cable is not concealed but accentuated. A solid aluminium canopy on top of the lamp provides it with the finishing touch. It is perfect for illuminating a long dining or conference table.

shades



bases

