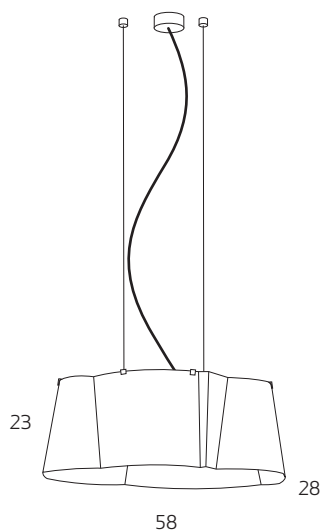



## bent\_cloud pendant lamp

design Christian Finke + Torsten Nein, 2011



model	<b>bent_cloud</b>
dimensions (wxhxd)	58x23x28cm
material	chintz, textile cable
gr. weight / packing vol.	1.7kg / 0.048sqm
suspension	max. 200cm
switching	external
protection class	II
mechanical rating	IP20
rated voltage	220-240V, 50/60Hz
light source	2x E27   Med max. 60W 
optional	customized colours

A pendant lamp made of light-grey chintz is acting self-contained like the body of a sculpture. Rhythmic and asymmetry create an exciting arrangement of light and shadow. The flexible shade is mounted through clamps on the extensions of an inlying metal fitting. The silver-grey textile cable complements the quality of the materials.

shade



light grey

fitting



black